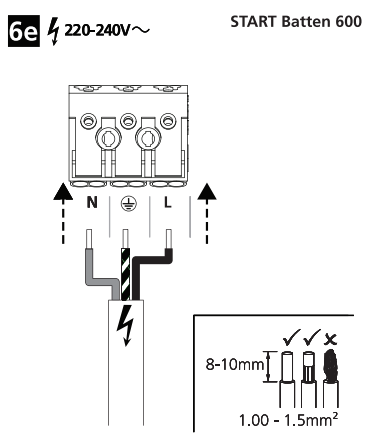
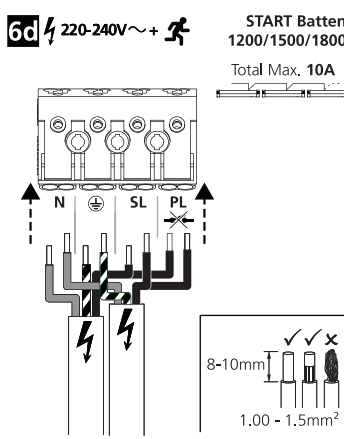
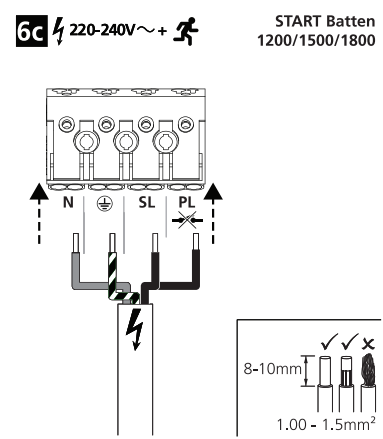
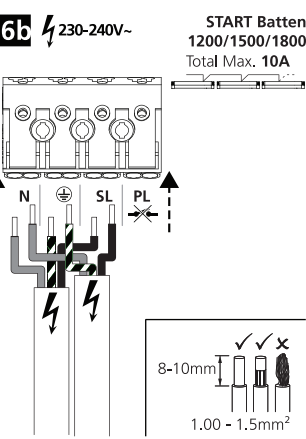
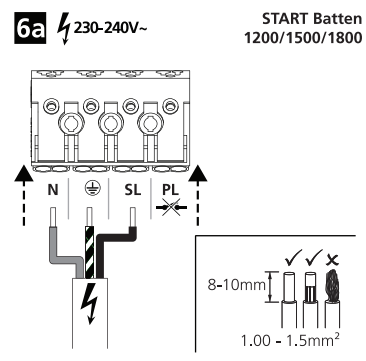
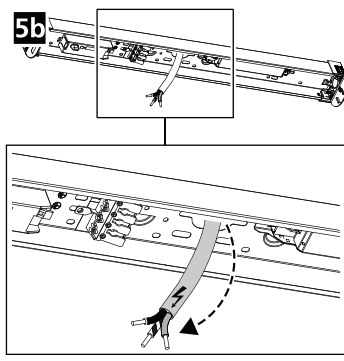
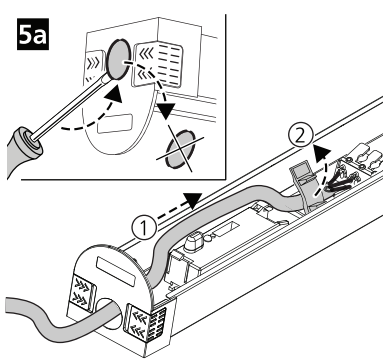
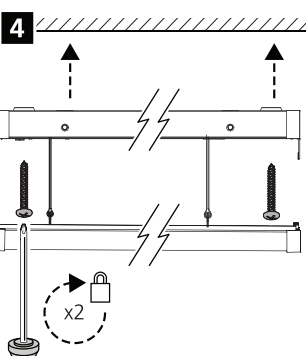
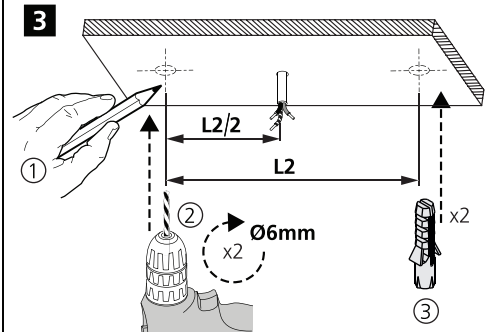
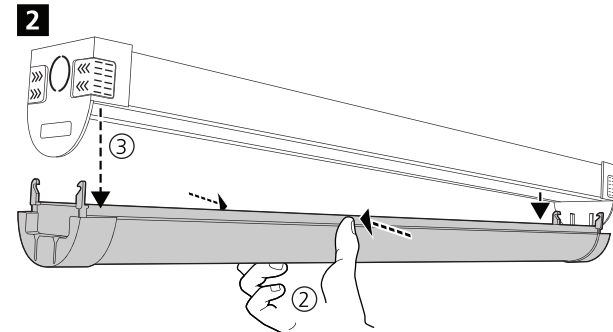
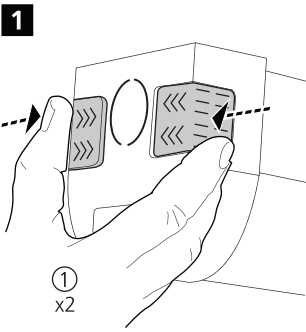
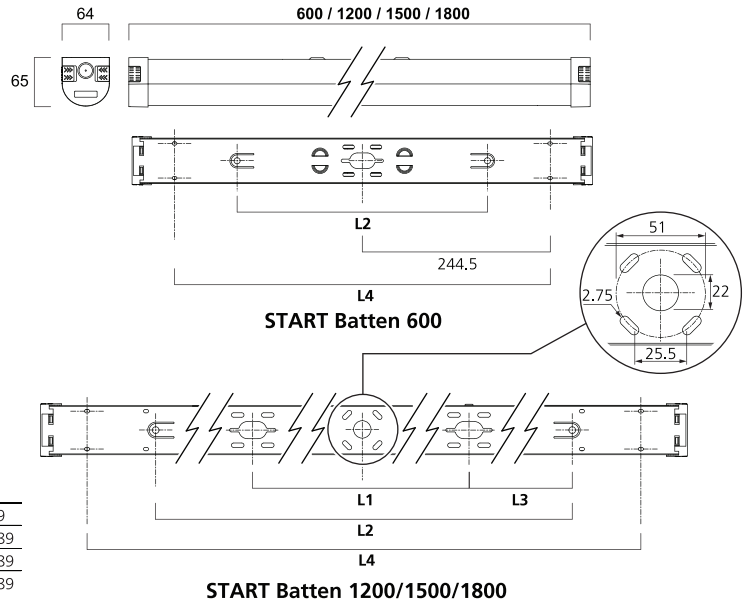
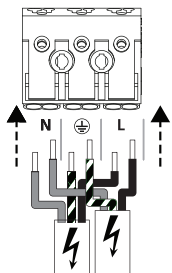


	L1	L2	L3	L4
START Batten 600	-	326	-	489
START Batten 1200	600	926	163	1089
START Batten 1500	600	943	163	1089
START Batten 1800	600	943	163	1089



6f 220-240V~

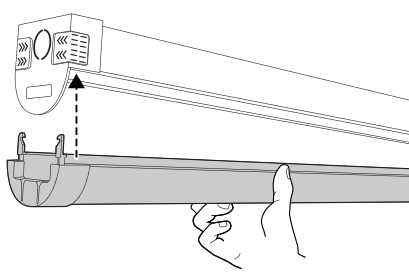


START Batten 600

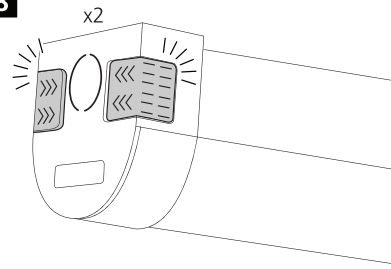
Total Max. 10A

8-10mm
1.00 - 1.5mm²

7



8

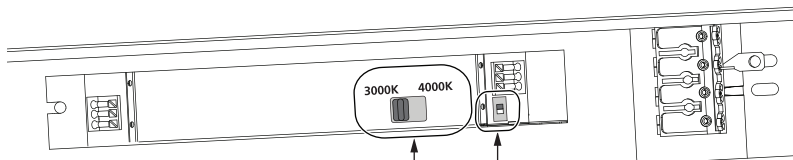


! CCT / Light Output

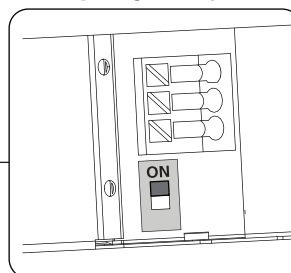
3000K / 4000K

Warm Neutral

3000K 4000K



Light Output

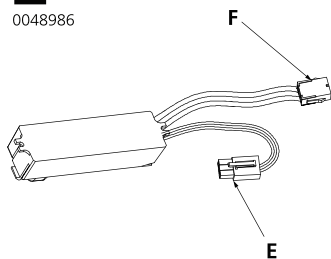


ON
OFF

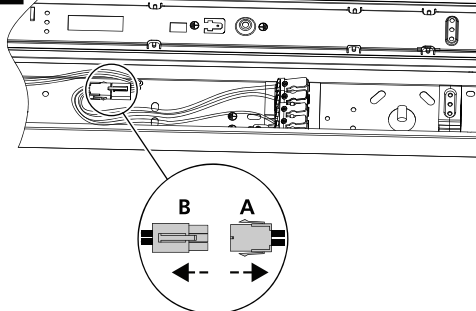
	I	●	LO setting
	II	○	HO setting

1 Start Batten ON/OFF MW Sensor KIT

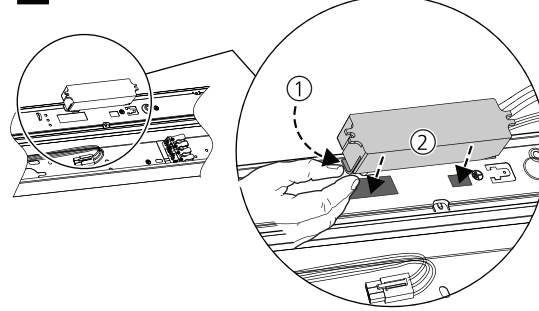
0048986



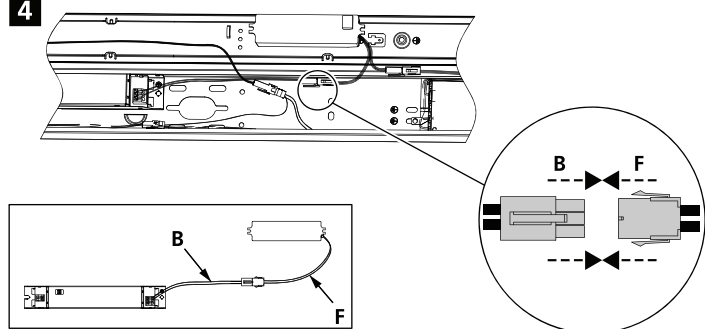
2



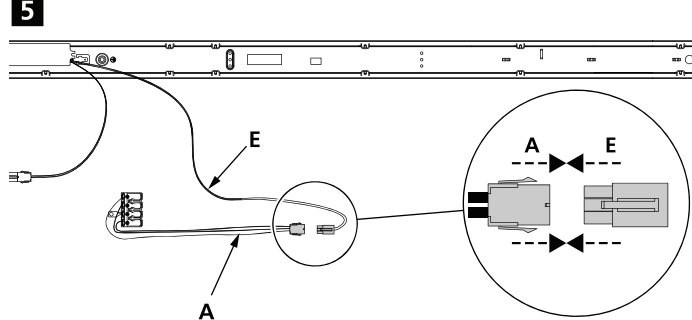
3



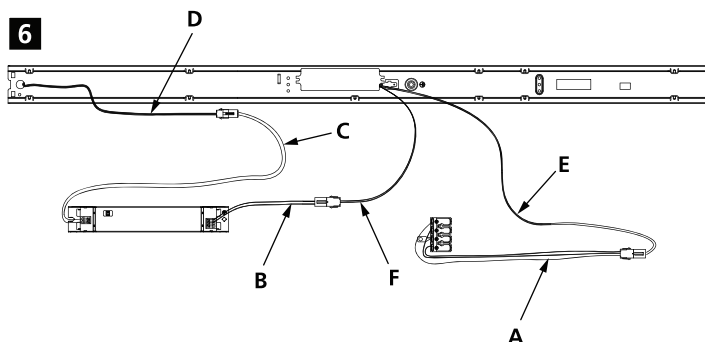
4



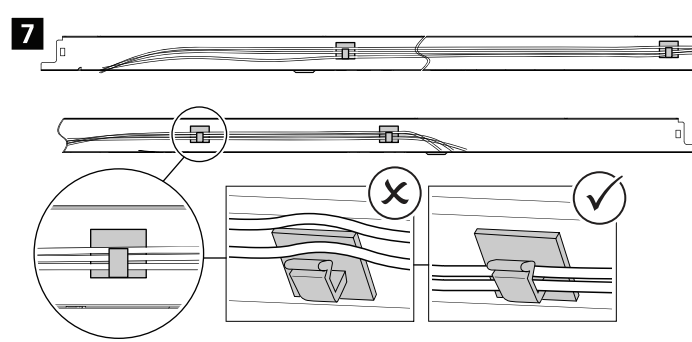
5



6

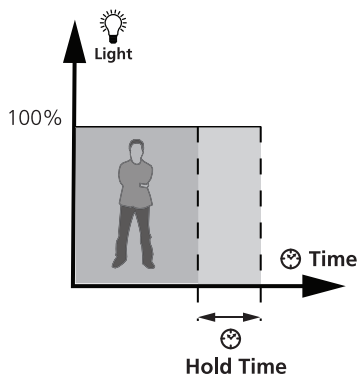
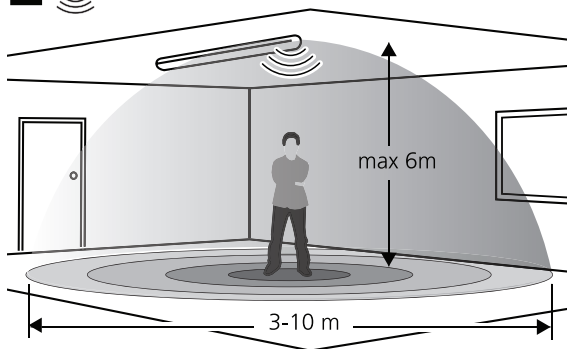


7



Start Batten ON/OFF MW Sensor KIT

0048486



- ON
- ↑
- ↓
- OFF

Detection Area

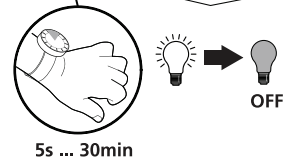
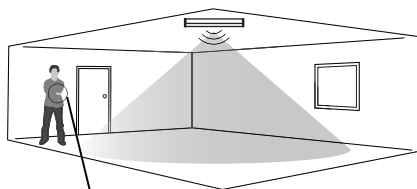
	1	2	%	Detection Ø
I	●	●	100%	10m
II	○	●	75%	8m
III	●	○	50%	5m
IV	○	○	25%	3m

Hold Time

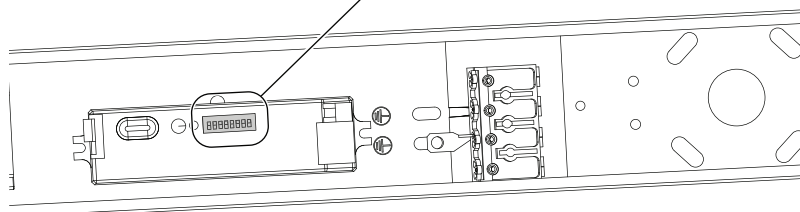
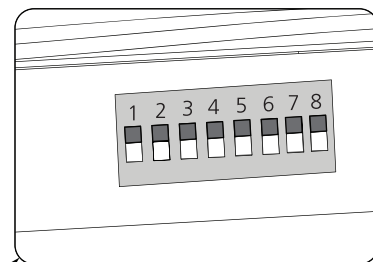
	3	4	5	☀
I	●	●	●	5s
II	○	●	●	30s
III	●	○	●	90s
IV	○	○	●	5min
V	●	●	○	20min
VI	○	○	○	30min

Daylight Sensor

	6	7	8	Lux
I	●	●	●	2Lux
II	●	●	○	10Lux
III	○	●	○	30Lux
IV	●	○	○	50Lux
V	○	○	○	Disable

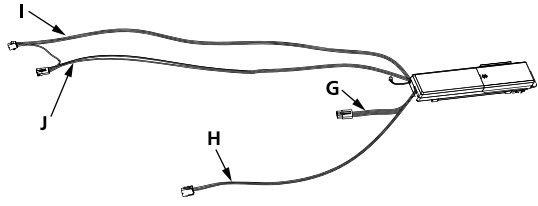


5s ... 30min



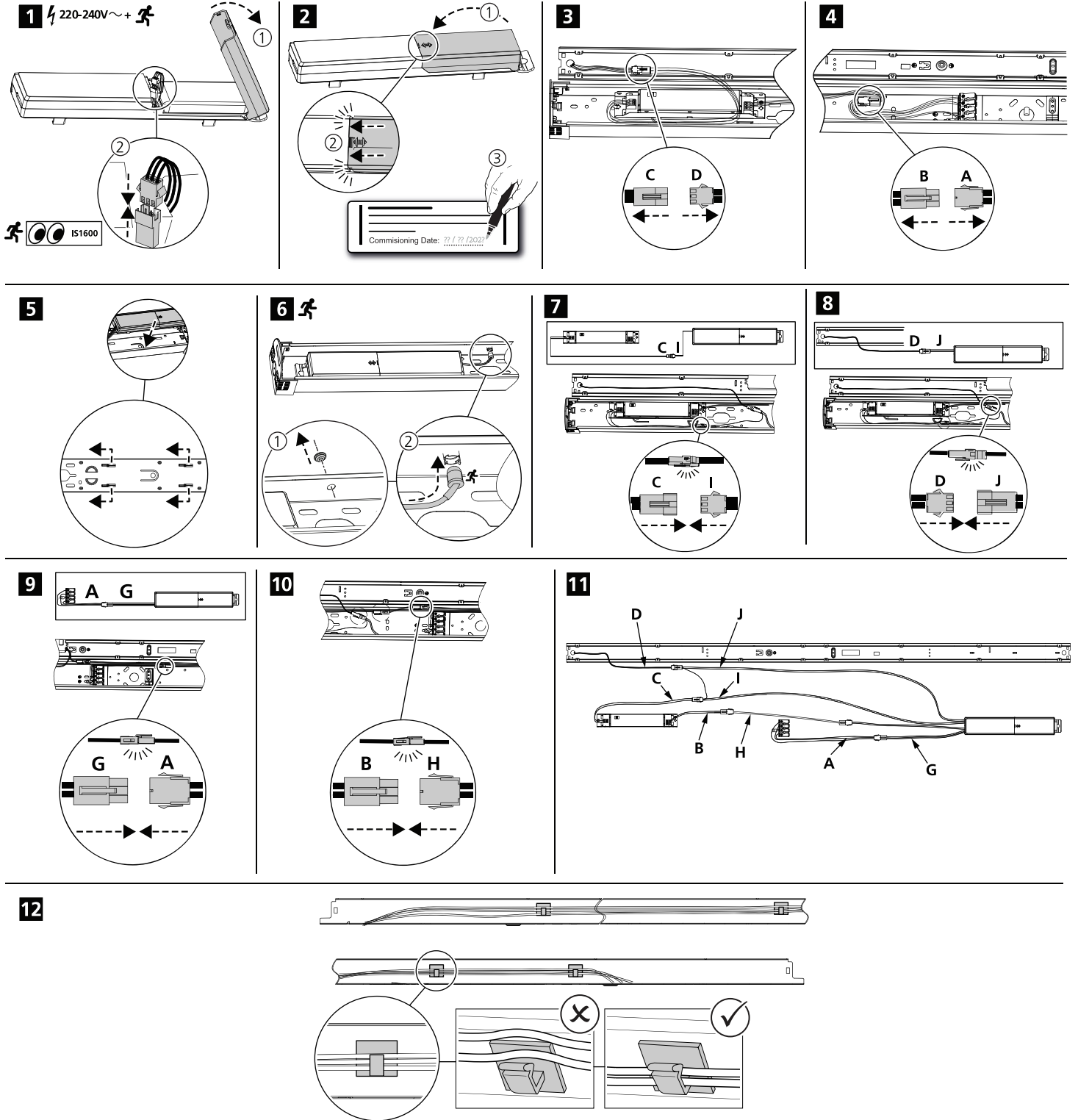
START Batten self Test Emergency kit
0048987

0°C +40°C

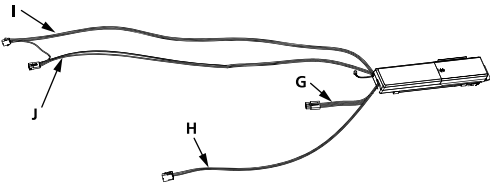


~~START Batten 600~~

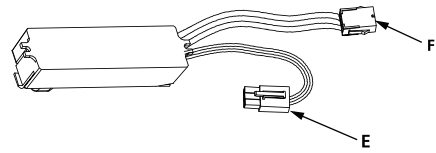
LED INDICATION		STATUS		COMMENT
LED Colour	Status	Flashing	Flashing	
		ON	OFF	
Green		∞	-	Battery Connected and Charging
		0.1 sec	0.1 sec	Functional Test in Progress
		1.0 sec	1.0 sec	Duration Test in Progress
Red		∞	-	Lamp Fault
		1.0 sec	1.0 sec	Battery Needs Replacing
		0.1 sec	0.1 sec	Battery Fault
		-	∞	Emergency Mode



START Batten Self Test Emergency & MW Sensor Kit



START Batten Self Test Emergency Kit
0048987



START Batten MW Kit
0048986

1 ⚡ 220-240V ~ + ⚡

2

Commissioning Date: ?? / ?? / 202?

3

4

5

6 ⚡

7

8

9 ⚡ 220-240V ~ + MW

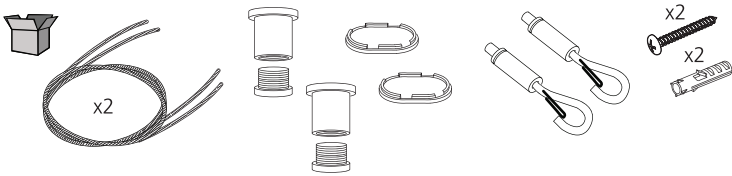
10

11

12

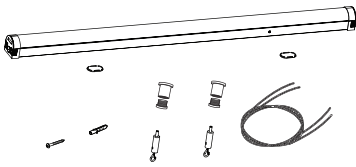
13

START Batten Suspension kit

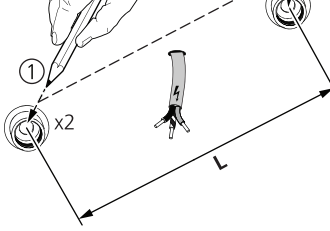


1 START Batten Suspension Kit

0048988

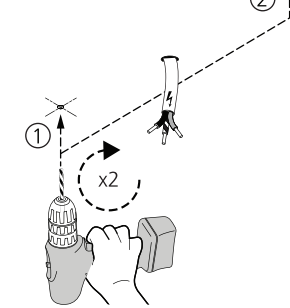


2

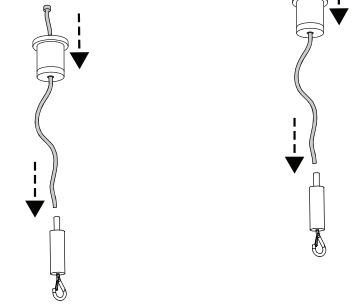


START Batten 600	L
START Batten 1200/1500/1800	284mm / 884mm

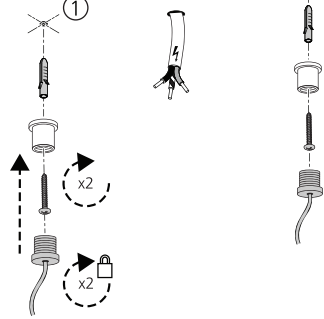
3



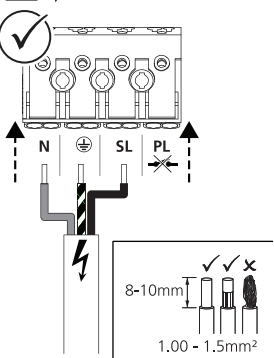
4



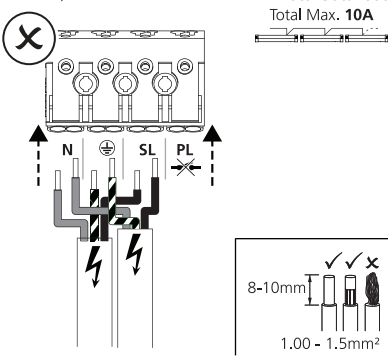
5



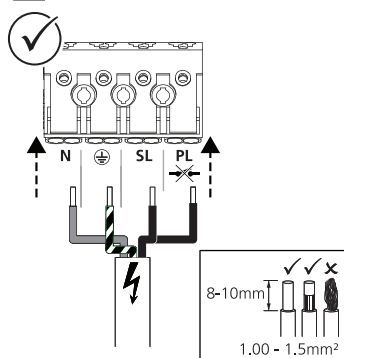
6a ⚡ 230-240V~ START Batten 1200/1500/1800



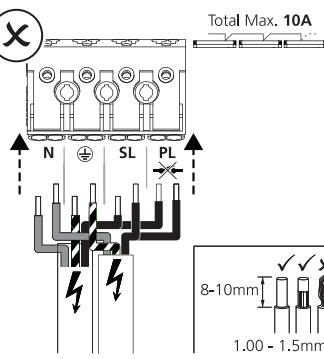
6b ⚡ 230-240V~ START Batten 1200/1500/1800 Total Max. 10A



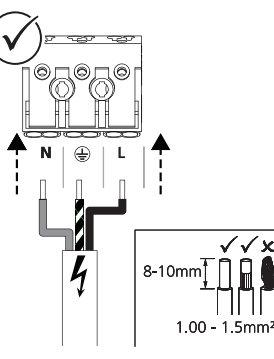
6c ⚡ 220-240V~ + ⚡ START Batten 1200/1500/1800



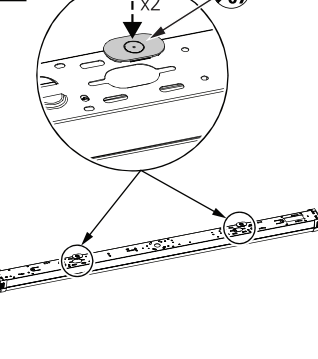
6d ⚡ 220-240V~ + ⚡ START Batten 1200/1500/1800 Total Max. 10A



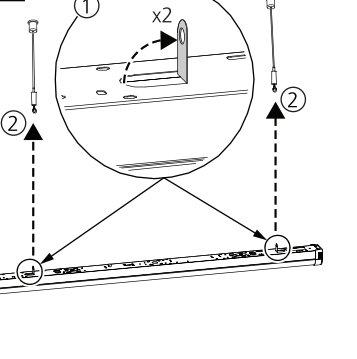
6e ⚡ 220-240V~ START Batten 600



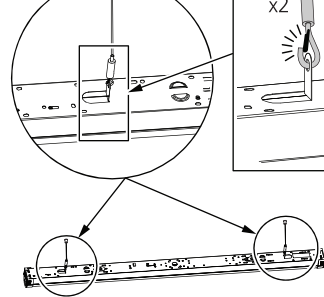
7



8



9



10

